

Ikegami

Ultra Low-light Multi-Purpose Compact Camera

HDL-F3000

Get ready for a skywalk!

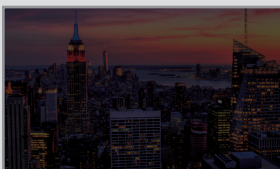


Extreme Starlight Vision

Ultra Low-light

0.0068 lx or less
Minimum Illumination
(0.000057 lx with Frame
Accumulation ON)

Low Light Comparison with Conventional HD Camera



Conventional HD Camera



HDL-F3000

Quality Picture under Any Illumination

There is virtually no loss of quality caused by the difference in illumination, it can produce high quality pictures under any condition, day or night.

Compact & Light Camera Head

Ideal for Airborne Gyro use because of its compact and light camera head.
(camera head : approx. 1.0 kg (2.2 lbs.))

Clear Image

Image Adjustment
Functions such as digital zoom, haze removal and backlight correction to capture clear images under difficult conditions.



Raw Image



Improved Image

High Definition

2.6M pixel 3 sensor Multi-format camera with S/N 64dB or more

Specifications

Signal Format	1080/59.94i, 1080/50i, 1080/29.97psF, 1080/25psF, 720/59.94p, 720/50p			
Image Sensor	Three 2/3-inch 2.6million pixel MOS			
Minimum Illumination	0.0068 lx or less (0.000057 lx with Frame Accumulation ON)			
Optical System	2/3-inch, RGB prism, F1.4			
Lens Mount	BTA S-1005B			
Motorized Optical ND Filter	1	2	3	4
	100%	25%	6.2%	1.6%
(Optional IR-Pass filter is available)				
Electrical Color Filter	3200 / 4300 / 6300 / 8000K			
Power Requirement	+11VDC to +16VDC (Up to 30m Camera Cable)			
Operating Temperature	Camera Head	-20°C to +45°C (-4°F to 113°F)		
	CCU	-10°C to +45°C (14°F to 113°F)		
Storage Temperature	Camera Head	-30°C to +60°C (-22°F to 140°F)		
	CCU	-20°C to +60°C (-4°F to 140°F)		
Dimensions	Camera Head	W100 x H123 x D80 mm (W3.94 x H4.84 x D3.15 inch)		
	CCU	W120 x H105 x D180 mm (W4.75 x H4.13 x D7.09 inch)		
Weight	Camera Head	approx. 1.0 kg (2.2 lbs.)		
	CCU	approx. 1.5 kg (3.3 lbs.)		
S/N Ratio	64dB or more (1080/59.94i with NR ON)			
Limiting Resolution	1000 TV lines			
Gain	-6, -3, 0, 3, 6, 9, 12, 18, 24, 30, 36, 42, 48, 54, 60, 66, 72dB			
Gamma	OFF, 0.35, 0.40, 0.45			
Electrical Shutter	1/100, 1/120, 1/250, 1/500, 1/1000, 1/2000, 1/4000, 1/10000 (Variable Shutter available)			
Frame Accumulation	1/30, 1/15, 1/10, 1/8, 1/6, 1/5, 1/4, 1/3, 1/2, 1, 2			
Digital Zoom	x1.1 to 10.0			
Power Consumption	Camera Head	approx. 9.8W		
	CCU	approx. 23W		
Output Signal	2ch HD-SDI (SMPTE292M)			
External Sync Input	HDTV	PS 1Vp-p, Sync 0.6Vp-p		
	SDTV	VBS 1Vp-p, BBS 0.3Vp-p		

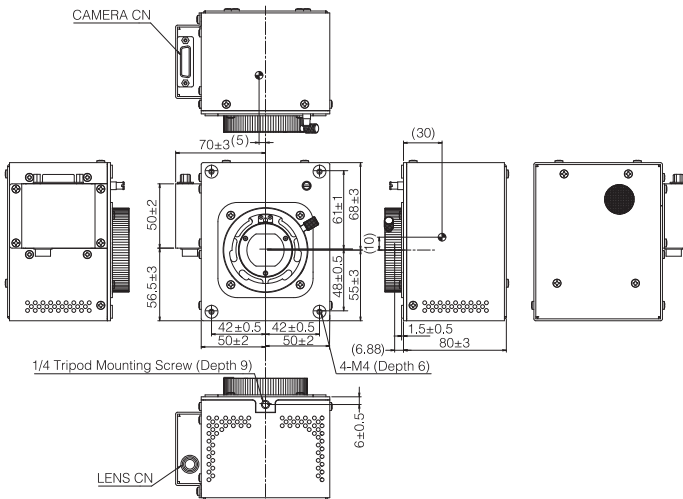
Ultra Low-light Multi-Purpose Compact Camera

HDL-F3000

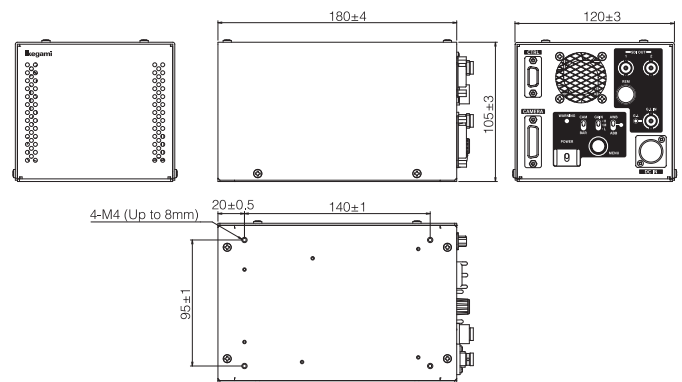


Rear Panel of CCU

Camera Head (mm)



Camera Control Unit (mm)



Design and specifications are subject to change without notice.

Ikegami Tsushinki Co.,Ltd.

URL : <http://www.ikegami.co.jp/en/>

- Head Office : 5-6-16 Ikegami, Ohta-ku, Tokyo 146-8567, Japan TEL.+81-(0)3-5700-1111 / FAX.+81-(0)3-5700-1137
- Overseas Sales Division : 5-6-16 Ikegami, Ohta-ku, Tokyo 146-8567, Japan TEL.+81-(0)3-5700-4117 / FAX.+81-(0)3-5748-2200
- Beijing Office : Room No.307 Tower B, Jia Tai International Mansion No.41East Fourth Ring Road, Chaoyang District, Beijing China TEL.+86-(0)10-85710350 / FAX.+86-(0)10-85711804

Ikegami Electronics (U.S.A.), INC.

URL : <http://www.ikegami.com>

- Headquarters : 37 BROOK AVENUE, MAYWOOD, NJ 07607, U.S.A. TEL.+1-201-368-9171 / FAX.+1-201-569-1626

Ikegami Electronics (Europe) GmbH

URL : <http://www.ikegami.de>

- Headquarters : Ikegami Strasse 1, D-41460 Neuss, Germany TEL.+49-(0)2131-1230 / FAX.+49-(0)2131-102820
- U.K. Branch : 1 Windmill Business Village, Brooklands Close, Sunbury on Thames, TW16 7DY, England TEL.+44-(0)1932-769700 / FAX.+44-(0)1932-769710

Ikegami Electronics Asia Pacific Pte.Ltd.

URL : <http://sg.ikegami.co.jp>

- Headquarters : 1 Tampines Central 5, #03-03 CPF Tampines Building, Singapore 529508 TEL.+65-6260-8820 / FAX.+65-6260-8896

U348B166-SELF0.5

